



# LIGHT DUTY CASTOR WHEELS



**RFAL TECHNOLOGY**



NO. Model	Wheel Material	Wheel Dia (mm)	Tread Width (mm)	Load Height (mm)	Plate Size (mm)	Plate Size (mm)	Hole Size (mm)	Load Capacity (kg)
201BP-010-040-221-2B	PU	40(1½)	22	60	60×43	45×30	6.3	35
201BP-010-050-221-2B	PU	50(2")	25	73	70×51	53×35	6.3	50
201BP-010-063-221-2B	PU	63(2½)	30	90	92×65	73×45	8.5	80



NO. Model	Wheel Material	Wheel Dia (mm)	Tread Width (mm)	Load Height (mm)	Plate Size (mm)	Plate Size (mm)	Hole Size (mm)	Load Capacity (kg)
201BP-020-040-221-2B	PU	40(1½)	22	60	60×43	45×30	6.3	35
201BP-020-050-221-2B	PU	50(2")	25	73	70×51	53×35	6.3	50
201BP-020-063-221-2B	PU	63(2½)	30	90	92×65	73×45	8.5	80



NO. Model	Wheel Material	Wheel Dia (mm)	Tread Width (mm)	Load Height (mm)	Plate Size (mm)	Plate Size (mm)	Hole Size (mm)	Load Capacity (kg)
201BP-022-040-221-2B	PU	40(1½)	22	60	60×43	45×30	6.3	35
201BP-022-050-221-2B	PU	50(2")	25	73	70×51	53×35	6.3	50
201BP-022-063-221-2B	PU	63(2½)	30	90	92×65	73×45	8.5	80

### Description

**Material:** Polyurethane  
**Swivel Section:** Precision Steel  
 Ball with Double Track Design  
**Installation:** Fix, Plate, Thread  
 Stem, Hollow Stem

### Thread

**Color:** White  
**Hardness:** 60D  
**Wheel Core:** PP  
**Wheel Tread:** Nylon  
**Wheel Code:** 361 - 1W



### Finishing

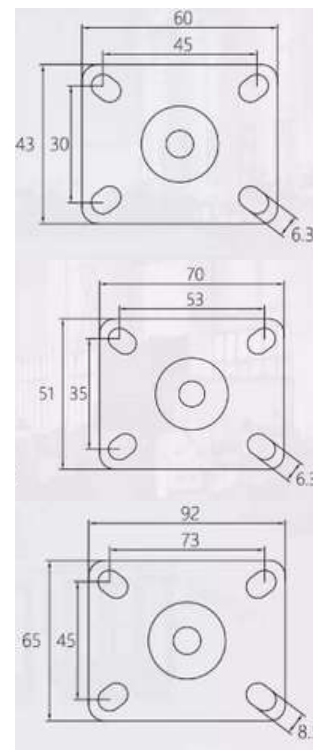


ZINC



BLACK

### Top Plate (mm)





NO. Model	Wheel Material	Wheel Dia (mm)	Tread Width (mm)	Load Height (mm)	Plate Size (mm)	Plate Size (mm)	Hole Size (mm)	Load Capacity (kg)
201ZN-010-025-271-0D	PVC	25(1")	12	35	38×32	30×24	4	10
201ZN-010-032-271-0D	PVC	32(1¼)	14	42	38×32	30×24	4.5	18
201ZN-010-038-271-0D	PVC	38(1½)	18	50	46×38	36×28	5.5	25
201ZN-010-050-271-0D	PVC	50(2")	20	65	59×47	46×35	6.2	35
201ZN-010-063-271-0D	PVC	63(2½)	27	84	70×58	55×42	8.5	55
201ZN-010-075-271-0D	PVC	75(3")	27	93	70×58	55×42	8.5	65



NO. Model	Wheel Material	Wheel Dia (mm)	Tread Width (mm)	Load Height (mm)	Plate Size (mm)	Plate Size (mm)	Hole Size (mm)	Load Capacity (kg)
201ZN-020-025-271-0D	PVC	25(1")	12	35	38×32	30×24	4	10
201ZN-020-032-271-0D	PVC	32(1¼)	14	42	38×32	30×24	4.5	18
201ZN-020-038-271-0D	PVC	38(1½)	18	50	46×38	36×28	5.5	25
201ZN-020-050-271-0D	PVC	50(2")	20	65	59×47	46×35	6.2	35
201ZN-020-063-271-0D	PVC	63(2½)	27	84	70×58	55×42	8.5	55
201ZN-020-075-271-0D	PVC	75(3")	27	93	70×58	55×42	8.5	65



NO. Model	Wheel Material	Wheel Dia (mm)	Tread Width (mm)	Load Height (mm)	Plate Size (mm)	Plate Size (mm)	Hole Size (mm)	Load Capacity (kg)
201ZN-023-025-271-0D	PVC	25(1")	12	35	38×32	30×24	4	10
201ZN-023-032-271-0D	PVC	32(1¼)	14	42	38×32	30×24	4.5	18
201ZN-023-038-271-0D	PVC	38(1½)	18	50	46×38	36×28	5.5	25
201ZN-023-050-271-0D	PVC	50(2")	20	65	59×47	46×35	6.2	35
201ZN-023-063-271-0D	PVC	63(2½)	27	84	70×58	55×42	8.5	55
201ZN-023-075-271-0D	PVC	75(3")	27	93	70×58	55×42	8.5	65

## Thread

Color: Red  
 Hardness: 80A  
 Wheel Core: PP  
 Wheel Tread: PVC  
 Wheel Code: 271-0D



Color: Blue  
 Hardness: 80A  
 Wheel Core: PP  
 Wheel Tread: PVC  
 Wheel Code: 271-0L



Color: Blue  
 Hardness: 80A  
 Wheel Core: PP  
 Wheel Tread: PVC  
 Wheel Code: 271-0L



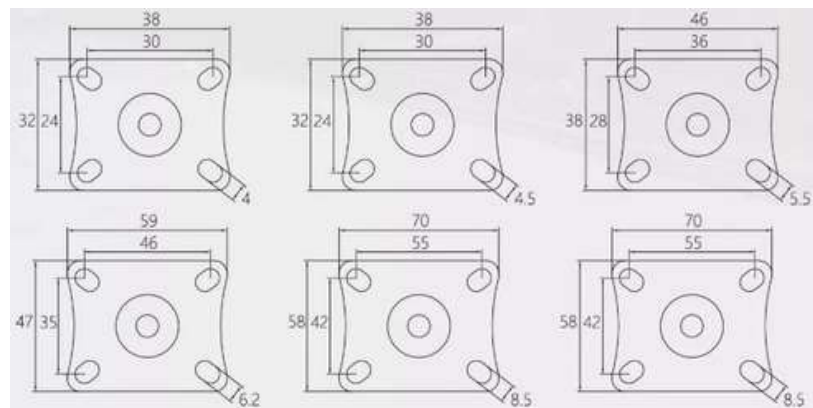
Color: Blue  
 Hardness: 80A  
 Wheel Core: PP  
 Wheel Tread: PVC  
 Wheel Code: 271-0L



## Description

**Material:** PVC  
**Swivel Section:** Precision Steel  
 Ball with Track Design  
**Installation:** Fix, Plate, Thread  
 Stem, Hollow Stem

## Top Plate (mm)





NO. Model	Wheel Material	Wheel Dia (mm)	Tread Width (mm)	Load Height (mm)	Plate Size (mm)	Plate Size (mm)	Hole Size (mm)	Load Capacity (kg)
201ZN - 010 - 025 - 211 - OW	PP	25(1")	12	35	38×32	30×24	4	10
201ZN - 010 - 032 - 211 - OW	PP	32(1¼)	14	42	38×32	30×24	4.5	18
201ZN - 010 - 038 - 211 - OW	PP	38(1½)	18	50	46×38	36×28	5.5	25
201ZN - 010 - 050 - 211 - OW	PP	50(2")	20	65	59×47	46×35	6.2	35
201ZN - 010 - 063 - 211 - OW	PP	63(2½)	27	84	70×58	55×42	8.5	55
201ZN - 010 - 075 - 211 - OW	PP	75(3")	27	93	70×58	55×42	8.5	65



NO. Model	Wheel Material	Wheel Dia (mm)	Tread Width (mm)	Load Height (mm)	Plate Size (mm)	Plate Size (mm)	Hole Size (mm)	Load Capacity (kg)
201ZN - 020 - 025 - 211 - OW	PP	25(1")	12	35	38×32	30×24	4	10
201ZN - 020 - 032 - 211 - OW	PP	32(1¼)	14	42	38×32	30×24	4.5	18
201ZN - 020 - 038 - 211 - OW	PP	38(1½)	18	50	46×38	36×28	5.5	25
201ZN - 020 - 050 - 211 - OW	PP	50(2")	20	65	59×47	46×35	6.2	35
201ZN - 020 - 063 - 211 - OW	PP	63(2½)	27	84	70×58	55×42	8.5	55
201ZN - 020 - 075 - 211 - OW	PP	75(3")	27	93	70×58	55×42	8.5	65



NO. Model	Wheel Material	Wheel Dia (mm)	Tread Width (mm)	Load Height (mm)	Plate Size (mm)	Plate Size (mm)	Hole Size (mm)	Load Capacity (kg)
201ZN - 023 - 025 - 211 - OW	PP	25(1")	12	35	38×32	30×24	4	10
201ZN - 023 - 032 - 211 - OW	PP	32(1¼)	14	42	38×32	30×24	4.5	18
201ZN - 023 - 038 - 211 - OW	PP	38(1½)	18	50	46×38	36×28	5.5	25
201ZN - 023 - 050 - 211 - OW	PP	50(2")	20	65	59×47	46×35	6.2	35
201ZN - 023 - 063 - 211 - OW	PP	63(2½)	27	84	70×58	55×42	8.5	55
201ZN - 023 - 075 - 211 - OW	PP	75(3")	27	93	70×58	55×42	8.5	65

### Thread

Color: White  
 Hardness: 60D  
 Wheel Core: PP  
 Wheel Tread: PP  
 Wheel Code: 211-OW



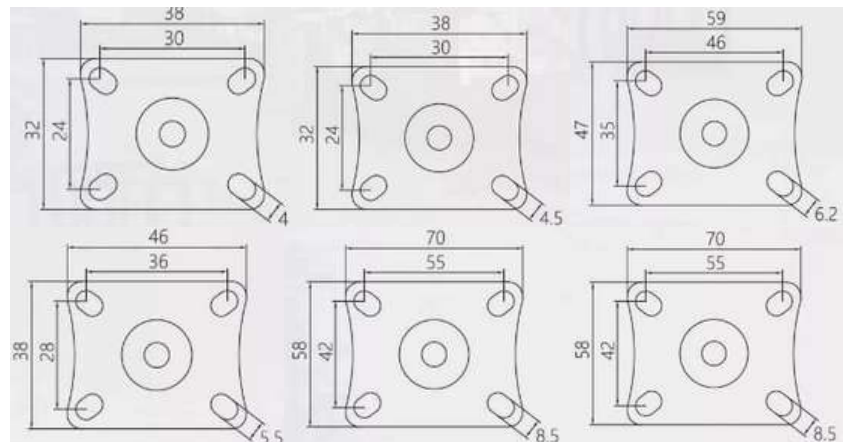
Color: Black  
 Hardness: 98A  
 Wheel Core: PP  
 Wheel Tread: PP  
 Wheel Code: 211-OH



### Description

**Material:** Advance Polyolefin  
**Swivel Section:** Precision Steel  
 Ball with Track Design  
**Installation:** Fix, Plate, Thread  
 Stem, Hollow Stem

### Top Plate (mm)



# GETTING YOUR CASTOR WHEELS HAS NEVER BEEN EASIER!

---

Call Us for a Quick Quote

Discuss and Customize

Fast and Reliable Delivery

**Kindly visit our showroom at:**

First Floor, Bearing No.8/29, Durga Colony, First Street,  
Kolathur, Chennai-600099

## About Us

---

At RFAL Technology Pvt Ltd, we are proud to be the exclusive importer and distributor of premium castor wheels in India. Serving diverse industries, including medical, industrial, and heavy-duty applications, we ensure top-quality products with unmatched reliability. With ready stock, competitive pricing, and customization options, we are committed to delivering excellence and mobility solutions tailored to your needs.



## FROM LIGHT-DUTY TO HEAVY-DUTY

## MEDICAL TO INDUSTRIAL

## WE HAVE THE PERFECT WHEELS FOR EVERY PRODUCT, CATEGORY APPLIANCE!

## Contact Us

---

### Mobile

+91 97917 63278

### E-Mail

info@rfaltech.in

### Website

www.rfaltech.in