

INDUSTRIAL CASTERS SERIES



colson

RFAL TECHNOLOGY

BUSINESS MACHINE

CASTOR WHEELS

www.rfaltech.in



Business Machine Caster

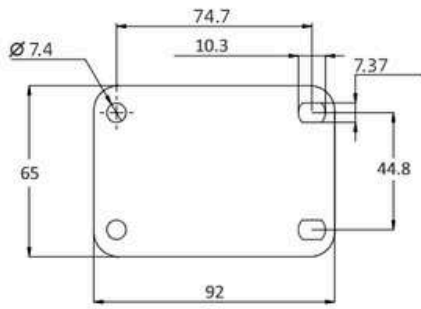
Capacity up to 540kg each

Swivel & Rigid

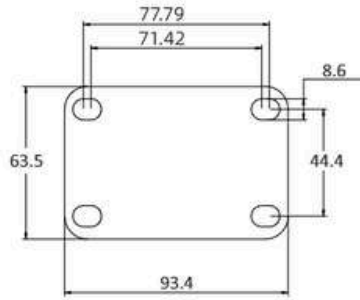
- ★ Double ball raceway hardened with heat treat process for greater performance and better durability.
- ★ Zinc-plated finish or electrophoresis with RoHS compliance.
- ★ Ultra-tough, thermoplastic wheel resists hard impacts and supports high dynamic load.
- ★ Typical applications for vending machines, computer racks, server cabinets or anywhere overall load height is restricted.



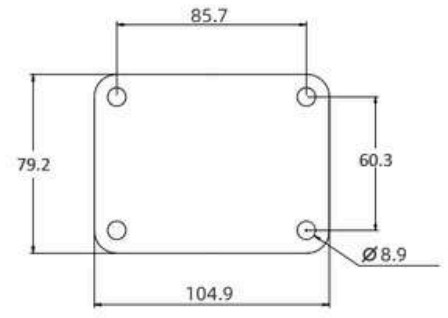
- Standard Dimension



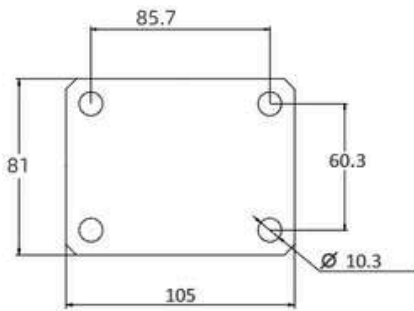
S4-2205



S4-3305



S4-3307



S4-3312

- Brake Selection



Hand-Tightened Butterfly Brake BRK3

S4-2205	X
S4-3305	X
S4-3307	✓
S4-3312	✓

Note:

Please add BRK3 to the end of the swivel model numbers if a brake is needed.

 (mm)	 (mm)	 (kg)	 Wheel material	 Bearing	 Swivel	 Rigid	 (mm)	 (mm)
50	41	200	Glass Filled Nylon	PPBB	S4-2205-351-99	S4-2208-351-99	73	60
75	46	227	Glass Filled Nylon	Roller	S4-3305-351	/	103	66
		136	Polyurethane	Roller	S4-3307-951	S4-3308-951	103	63
		310	Glass Filled Nylon	Roller	S4-3307-351	S4-3308-351	103	63
		540	Glass Filled Nylon	Roller	S4-3312-351	S4-3308-351R	105	60

GETTING YOUR CASTOR WHEELS HAS NEVER BEEN EASIER!

Call Us for a Quick Quote

Discuss and Customize

Fast and Reliable Delivery

Kindly visit our showroom at:

First Floor, Bearing No.8/29, Durga Colony, First Street,
Kolathur, Chennai-600099

About Us

At RFAL Technology Pvt Ltd, we are proud to be the exclusive importer and distributor of premium castor wheels in India. Serving diverse industries, including medical, industrial, and heavy-duty applications, we ensure top-quality products with unmatched reliability. With ready stock, competitive pricing, and customization options, we are committed to delivering excellence and mobility solutions tailored to your needs.



FROM LIGHT-DUTY TO HEAVY-DUTY

MEDICAL TO INDUSTRIAL

WE HAVE THE PERFECT WHEELS FOR EVERY PRODUCT, CATEGORY APPLIANCE!

Contact Us

Mobile

+91 97917 63278

E-Mail

info@rfaltech.in

Website

www.rfaltech.in