

INDUSTRIAL CASTERS SERIES



colson

RFAL TECHNOLOGY

6 SERIES

CASTOR WHEELS

www.rfaltech.in



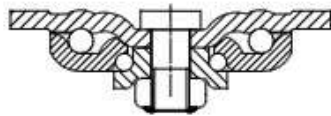
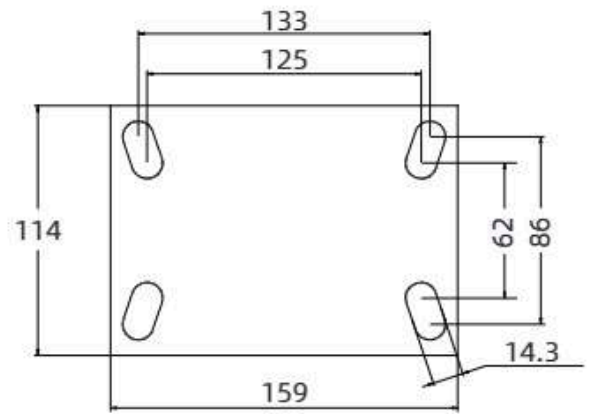
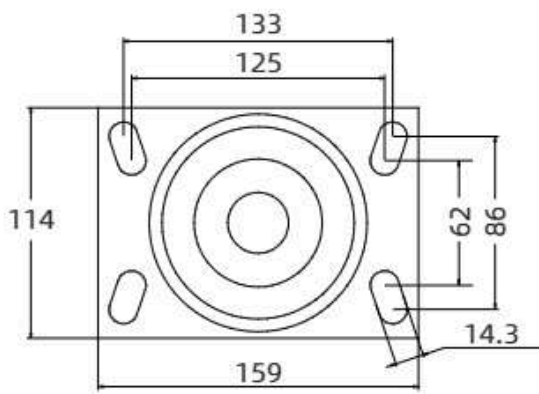
6 Series Capacity up to 680kg each

Top Plate Caster – Swivel & Rigid

- ★ Full double ball raceway hardened with heat treat process for better performance and greater durability.
- ★ Heat treated bolt and nut kingpin with 19mm diameter bolt for strong construction in raceway.
- ★ Zinc-plated finish with RoHS compliance.
- ★ Grease fittings in wheel bearing and swivel raceway for easy maintenance



- Standard Dimension



(mm)	(mm)	(kg)	Wheel material	Bearing	Swivel	Rigid	(mm)	(mm)
150	51	410	Polyurethane HI-TECH	Prec. Ball	6-6209-928	6-6208-928	191	122
		270	Performa Flat/Grey	Roller	6-6209-459	6-6208-459	191	122
		270	Performa Flat/Grey	PPBB	6-6209-455	6-6208-455	191	122
		204	Performa Round/Grey	Roller	6-6209-559	6-6208-559	191	122
		270	Performa Flat/Black	Roller	6-6209-459-2	6-6208-459-2	191	122
		270	Performa Flat/Black	PPBB	6-6209-455-2	6-6208-455-2	191	122
		400	Thermo 180°C	Roller	6-6209-839HT	6-6208-839HT	191	122
		410	Nylon HI-TECH	Roller	6-6209-829	6-6208-829	191	122
		318	Polyolefin	Roller	6-6209-839	6-6208-839	191	122
		500	Maxim	Roller	6-6209-539	6-6208-539	191	122
		450	Polyurethane Aluminum	Roller	6-6209-939	6-6208-939	191	122
		568	CG- MAX Orange Polyurethane Aluminum	Prec. Ball	6-6209-9NC	6-6208-9NC	191	122
		450	Phenolic	Roller	6-6209-339	6-6208-339	191	122
		650	Cast Iron	Roller	6-6209-139	6-6208-139	191	122
		680	Forged Steel	Roller	6-6209-239	6-6208-239	191	122
		650	V-groove Cast Iron	Roller	6-6209-739	6-6208-739	191	122
		450	Polyurethane HI-TECH	Prec. Ball	6-6259-948	6-6258-948	191	122
200	51	450	Polyurethane HI-TECH	Prec. Ball	6-8299-928	6-8298-928	241	159
		306	Performa Flat/Grey	Roller	6-8299-459	6-8298-459	241	159
		306	Performa Flat/Grey	PPBB	6-8299-455	6-8298-455	241	159
		272	Performa Round/Grey	Roller	6-8299-559	6-8298-559	241	159
		306	Performa Flat/Black	Roller	6-8299-459-2	6-8298-459-2	241	159
		306	Performa Flat/Black	PPBB	6-8299-455-2	6-8298-455-2	241	159
		450	Thermo 180°C	Roller	6-8299-839HT	6-8298-839HT	241	159
		450	Nylon HI-TECH	Roller	6-8299-829	6-8298-829	241	159
		410	Polyolefin	Roller	6-8299-839	6-8298-839	241	159
		600	Maxim	Roller	6-8299-539	6-8298-539	241	159
		500	Polyurethane Aluminum	Roller	6-8299-939	6-8298-939	241	159
		680	CG- MAX Orange Polyurethane Aluminum	Prec. Ball	6-8299-9NC	6-8298-9NC	241	159
		500	Phenolic	Roller	6-8299-339	6-8298-339	241	159
		680	Cast Iron	Roller	6-8299-139	6-8298-139	241	159
		680	V-groove Cast Iron	Roller	6-8299-739	6-8298-739	241	159
		500	Polyurethane HI-TECH	Prec. Ball	6-8299-948	6-8298-948	241	159

- Wheel Selection



Performa Flat/Grey



Performa Flat/Black



Performa Round Grey



Polyurethane HI-TECH



Polyolefin



Nylon HI-TECH



Forged Steel



Performa Conductive



Maxim



Polyurethane Aluminum



CG-MAX



Polyurethane Iron

- Bearing Selection



- Brake Selection



Wheel Diameter	Metal Tread Brake BRK1
150mm	✓
200mm	✓



Wheel Diameter	Metal Side Brake BRK3
150mm	✓
200mm	✓

Note:

Please add the brake model number to the end of your selected swivel caster model number, for example G-6209-939BRK1.

The caster swivel radius will be larger after assembly with brake. Its dimension is subject to our drawing.

BRK1 is not suitable for thermo caster

6 Series Capacity up to 680kg each

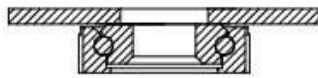
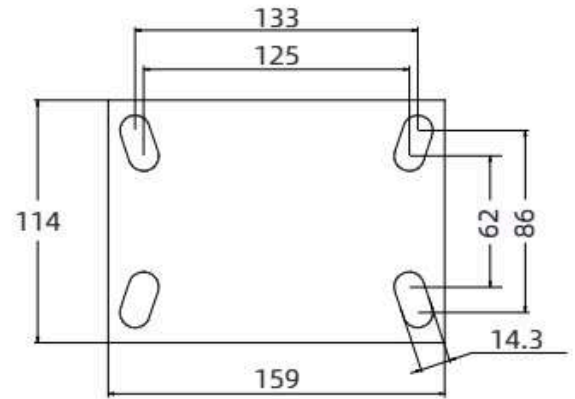
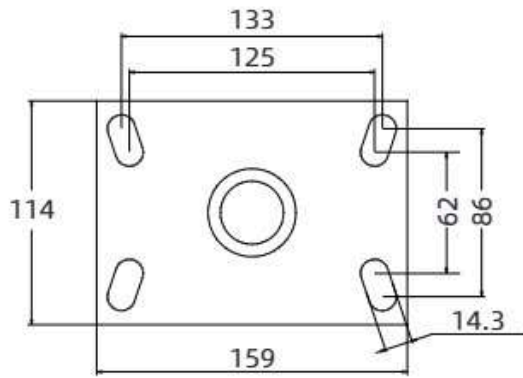
ENFORCER

Kingpinless Caster – Swivel & Rigid



- ★ Full single ball raceway hardened with heat treat process for better performance and greater durability.
- ★ Perfect for applications with high impact, shock loading and rough.
- ★ Zinc-plated finish with RoHS compliance.
- ★ Grease fittings in wheel bearing and swivel raceway for easy maintenance
- ★ Notches in the raceway allows for easy installation of swivel locks.



- Standard Dimension



Fork Leg Spacing: 64mm

 (mm)	 (mm)	 (kg)	 Wheel material	 Bearing	 Swivel	 Rigid	 (mm)	 (mm)
150	51	410	Polyurethane HI-TECH	Prec. Ball	6-6289-928	6-6278-928	191	119
		270	Performa Flat/Grey	Roller	6-6289-459	6-6278-459	191	119
		270	Performa Flat/Grey	PPBB	6-6289-455	6-6278-455	191	119
		204	Performa Round/Grey	Roller	6-6289-559	6-6278-559	191	119
		270	Performa Flat/Black	Roller	6-6289-459-2	6-6278-459-2	191	119
		270	Performa Flat/Black	PPBB	6-6289-455-2	6-6278-455-2	191	119
		400	Thermo 180°C	Roller	6-6289-839HT	6-6278-839HT	191	119
		410	Nylon HI-TECH	Roller	6-6289-829	6-6278-829	191	119
		318	Polyolefin	Roller	6-6289-839	6-6278-839	191	119
		500	Maxim	Roller	6-6289-539	6-6278-539	191	119
		450	Polyurethane Aluminum	Roller	6-6289-939	6-6278-939	191	119
		568	CG-MAX Orange Polyurethane Aluminum	Prec. Ball	6-6289-9NC	6-6278-9NC	191	119
		450	Phenolic	Roller	6-6289-339	6-6278-339	191	119
		650	Cast Iron	Roller	6-6289-139	6-6278-139	191	119
		680	Forged Steel	Roller	6-6289-239	6-6278-239	191	119
		650	V-groove Cast Iron	Roller	6-6289-739	6-6278-739	191	119
		450	Polyurethane HI-TECH	Prec. Ball	6-6289-948	6-6278-948	191	119
200	51	450	Polyurethane HI-TECH	Prec. Ball	6-8289-928	6-8278-928	257	165
		306	Performa Flat/Grey	Roller	6-8289-459	6-8278-459	257	165
		306	Performa Flat/Grey	PPBB	6-8289-455	6-8278-455	257	165
		272	Performa Round/Grey	Roller	6-8289-559	6-8278-559	257	165
		306	Performa Flat/Black	Roller	6-8289-459-2	6-8278-459-2	257	165
		306	Performa Flat/Black	PPBB	6-8289-455-2	6-8278-455-2	257	165
		450	Thermo 180°C	Roller	6-8289-839HT	6-8278-839HT	257	165
		450	Nylon HI-TECH	Roller	6-8289-829	6-8278-829	257	165
		410	Polyolefin	Roller	6-8289-839	6-8278-839	257	165
		600	Maxim	Roller	6-8289-539	6-8278-539	257	165
		500	Polyurethane Aluminum	Roller	6-8289-939	6-8278-939	257	165
		680	CG-MAX Orange Polyurethane Aluminum	Prec. Ball	6-8289-9NC	6-8278-9NC	257	165
		500	Phenolic	Roller	6-8289-339	6-8278-339	257	165
		680	Cast Iron	Roller	6-8289-139	6-8278-139	257	165
		680	V-groove Cast Iron	Roller	6-8289-739	6-8278-739	257	165
		500	Polyurethane HI-TECH	Prec. Ball	6-8289-948	6-8278-948	257	165



- Wheel Selection



Performa Flat/Grey



Performa Flat/Black



Performa Round Grey



Polyurethane HI-TECH



Polyolefin



Nylon HI-TECH



Forged Steel



Performa Conductive



Maxim



Polyurethane Aluminum



CG-MAX



Polyurethane Iron

- Bearing Selection



Delrin Bearing



Pedestal Precision
Ball Bearing (PPBB)



Precision Ball
Bearing (Prec. Ball)



Roller Bearing

- Brake Selection



Wheel Diameter	Metal Tread Brake BRK1
150mm	✓
200mm	✓



Wheel Diameter	Metal Side Brake BRK3
150mm	✓
200mm	✓



Wheel Diameter	Directional Lock_52
150mm	✓
200mm	✓

Note:

Please add the brake model number to the end of your selected swivel caster model number, for example 6-6289-939BRK1.

The caster swivel radius will be larger after assembly with brake. Its dimension is subject to our drawing.

BRK1 is not suitable for thermo caster

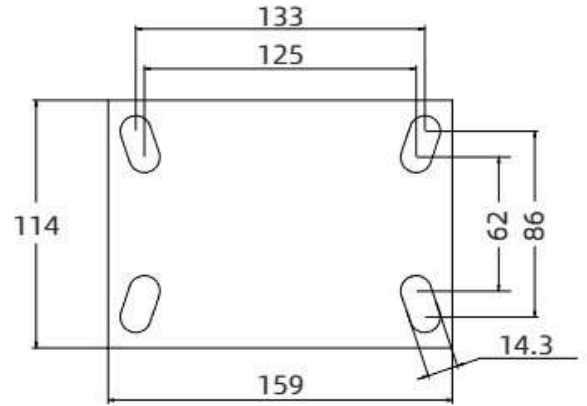
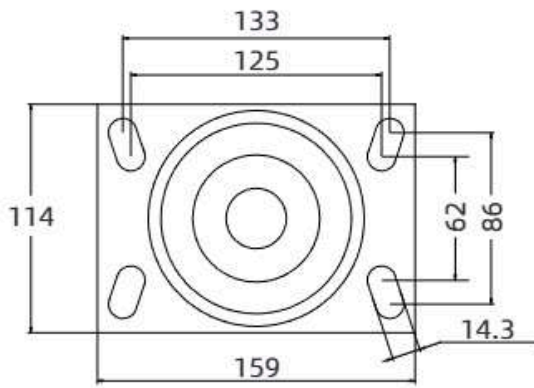
6 Series Capacity up to 500kg each

European Shock-absorbing Caster

- ★ Rigs: Made from 6mm thick steel using an integrated stamping process, resulting in greater strength compared to welding and better aesthetics.
- ★ Uses large diameter steel balls with added heat treatment process, resulting in smoother and more effortless rotation.
- ★ Utilizes a combination of dual longitudinal springs and PU, providing better shock absorption and preventing vehicle resonance.
- ★ Made of high-elasticity polyurethane bonded to a high-strength cast iron wheel core.
- ★ Brake selection: Tread brake.



- Standard Dimension



- Specification Note

Capacity of Four Casters	Below 1500kg
Capacity of Each Caster	350kg~500kg (770~1100lbs)
Temperature Range	-15°C to +18°C

Note:

Capacity will be 25% less after 45 minutes' continuous operation.
 Capacity will be 20% less at a speed between 6km and 10km per hour.
 Capacity will be 30% less at a speed between 10km and 16km per hour.

 (mm)	 (mm)	 (kg)	 Wheel material	 Bearing	 Swivel	 Rigid	 (mm)	 (mm)
150	50	450	Polyurethane Iron	Prec. Ball	SC-6509-948	SC-6508-948	203	125
200	50	500	Polyurethane Iron	Prec. Ball	SC-8509-948	SC-8508-948	265	174

Note: Please add BRK1 to the end of the swivel model number if brake is needed.

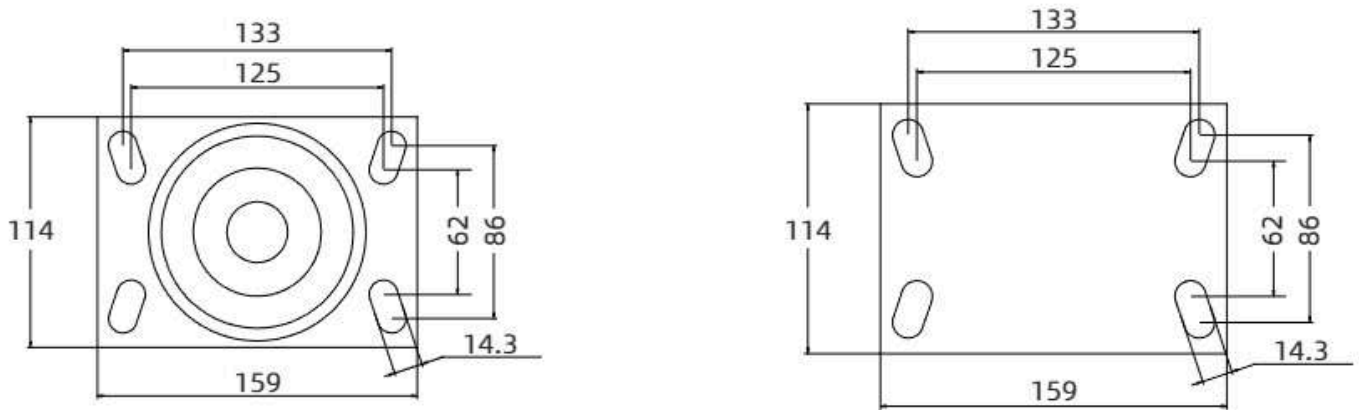
6 Series Capacity up to 500kg each

American Shock-absorbing Caster

- ★ Rigs: Made from 6mm thick steel using an integrated stamping process, resulting in greater strength compared to welding and better aesthetics.
- ★ Uses large diameter steel balls with added heat treatment process, resulting in smoother and more effortless rotation.
- ★ Utilizes a combination of dual longitudinal springs and PU, providing better shock absorption and preventing vehicle resonance.
- ★ Made of high-elasticity polyurethane bonded to a high-strength cast iron wheel core.
- ★ Brake selection : Tread brake.



- Standard Dimension



- Specification Note

Capacity of Four Casters	Below 1500kg
Capacity of Each Caster	350kg~500kg (770~1100lbs)
Temperature Range	-15°C to +18°C

Note:

Capacity will be 25% less after 45 minutes' continuous operation.
 Capacity will be 20% less at a speed between 6km and 10km per hour.
 Capacity will be 30% less at a speed between 10km and 16km per hour.

 (mm)	 (mm)	 (kg)	 Wheel material	 Bearing	 Swivel	 Rigid	 (mm)	 (mm)
150	50	450	Polyurethane Iron	Prec. Ball	SB-6509-948	SB-6508-948	212	122
200	50	500	Polyurethane Iron	Prec. Ball	SB-8509-948	SB-8508-948	262	122

Note: Please add BRK1 to the end of the swivel model number if brake is needed.

GETTING YOUR CASTOR WHEELS HAS NEVER BEEN EASIER!

Call Us for a Quick Quote

Discuss and Customize

Fast and Reliable Delivery

Kindly visit our showroom at:

First Floor, Bearing No.8/29, Durga Colony, First Street,
Kolathur, Chennai-600099

About Us

At RFAL Technology Pvt Ltd, we are proud to be the exclusive importer and distributor of premium castor wheels in India. Serving diverse industries, including medical, industrial, and heavy-duty applications, we ensure top-quality products with unmatched reliability. With ready stock, competitive pricing, and customization options, we are committed to delivering excellence and mobility solutions tailored to your needs.



FROM LIGHT-DUTY TO HEAVY-DUTY

MEDICAL TO INDUSTRIAL

WE HAVE THE PERFECT WHEELS FOR EVERY PRODUCT, CATEGORY APPLIANCE!

Contact Us

Mobile

+91 97917 63278

E-Mail

info@rfaltech.in

Website

www.rfaltech.in