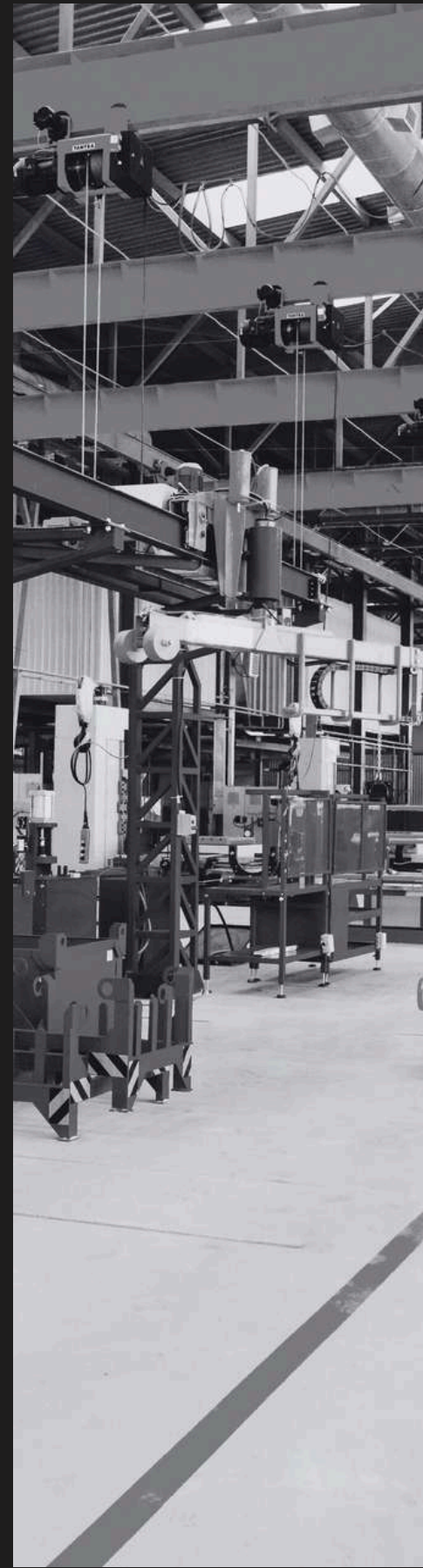


HEAVY DUTY CASTOR WHEELS



RFAL TECHNOLOGY



NO. Model	Wheel Material	Wheel Dia (mm)	Tread Width (mm)	Load Height (mm)	Plate Size (mm)	Plate Size (mm)	Hole Size (mm)	Load Capacity (kg)
601ZN-010-100-662-2W	PA	100(4")	50	143	114×98	82×70	11	280
601ZN-010-125-662-2W	PA	125(5")	50	164	114×98	82×70	11	340
601ZN-010-150-662-2W	PA	150(6")	50	190	114×98	82×70	11	400
601ZN-010-200-662-2W	PA	200(8")	50	240	114×98	82×70	11	440



NO. Model	Wheel Material	Wheel Dia (mm)	Tread Width (mm)	Load Height (mm)	Plate Size (mm)	Plate Size (mm)	Hole Size (mm)	Load Capacity (kg)
601ZN-020-100-662-2W	PA	100(4")	50	143	114×98	82×70	11	280
601ZN-020-125-662-2W	PA	125(5")	50	164	114×98	82×70	11	340
601ZN-020-150-662-2W	PA	150(6")	50	190	114×98	82×70	11	400
601ZN-020-200-662-2W	PA	200(8")	50	240	114×98	82×70	11	440



NO. Model	Wheel Material	Wheel Dia (mm)	Tread Width (mm)	Load Height (mm)	Plate Size (mm)	Plate Size (mm)	Hole Size (mm)	Load Capacity (kg)
601ZN-026-100-662-2W	PA	100(4")	50	143	114×98	82×70	11	280
601ZN-026-125-662-2W	PA	125(5")	50	164	114×98	82×70	11	340
601ZN-026-150-662-2W	PA	150(6")	50	190	114×98	82×70	11	400
601ZN-026-200-662-2W	PA	200(8")	50	240	114×98	82×70	11	440

Description

Material: Hardened Steel & High Tech Plastic

Swivel Section: Anti-Steel Wrist Mechanical Double Track Design

Installation: Fix, Plate, Thread Stem, Hollow Stem, Brake

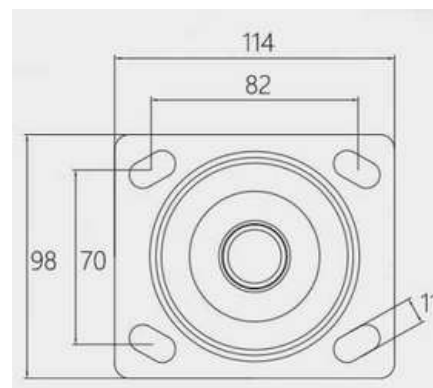
Thread



- Color:** White
- Hardness:** 60D
- Wheel Core:** PP
- Wheel Tread:** Nylon
- Wheel Code:** 662-2W

Top Plate

(mm)





NO. Model	Wheel Material	Wheel Dia (mm)	Tread Width (mm)	Load Height (mm)	Plate Size (mm)	Plate Size (mm)	Hole Size (mm)	Load Capacity (kg)
601ZN-010-100-622-2C	PU	100(4")	50	143	114×98	82×70	11	260
601ZN-010-125-622-2C	PU	125(5")	50	164	114×98	82×70	11	320
601ZN-010-150-622-2C	PU	150(6")	50	190	114×98	82×70	11	380
601ZN-010-200-622-2C	PU	200(8")	50	240	114×98	82×70	11	400



NO. Model	Wheel Material	Wheel Dia (mm)	Tread Width (mm)	Load Height (mm)	Plate Size (mm)	Plate Size (mm)	Hole Size (mm)	Load Capacity (kg)
601ZN-020-100-622-2C	PU	100(4")	50	143	114×98	82×70	11	260
601ZN-020-125-622-2C	PU	125(5")	50	164	114×98	82×70	11	320
601ZN-020-150-622-2C	PU	150(6")	50	190	114×98	82×70	11	380
601ZN-020-200-622-2C	PU	200(8")	50	240	114×98	82×70	11	400



NO. Model	Wheel Material	Wheel Dia (mm)	Tread Width (mm)	Load Height (mm)	Plate Size (mm)	Plate Size (mm)	Hole Size (mm)	Load Capacity (kg)
601ZN-026-100-622-2C	PU	100(4")	50	143	114×98	82×70	11	260
601ZN-026-125-622-2C	PU	125(5")	50	164	114×98	82×70	11	320
601ZN-026-150-622-2C	PU	150(6")	50	190	114×98	82×70	11	380
601ZN-026-200-622-2C	PU	200(8")	50	240	114×98	82×70	11	400

Description

Material: High Tech Polyurethane with Double Ball Bearing

Swivel Section: Precision Steel Ball with Double Track Design

Installation: Fix, Swivel & Brake

Finishing: Zinc

Thread



Color: Orange
Hardness: 98A
Wheel Core: PP
Wheel Tread: PU
Wheel Code: 622-2C



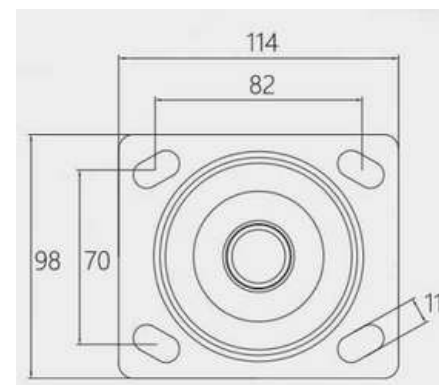
Color: Red
Hardness: 98A
Wheel Core: PP
Wheel Tread: PU
Wheel Code: 622-2D



Color: Orange
Hardness: 98A
Wheel Core: PP
Wheel Tread: PU
Wheel Code: 621-2Z

Top Plate

(mm)





NO. Model	Wheel Material	Wheel Dia (mm)	Tread Width (mm)	Load Height (mm)	Plate Size (mm)	Plate Size (mm)	Hole Size (mm)	Load Capacity (kg)
601ZN-010-100-631-2C	TPR	100(4")	50	143	114×98	82×70	11	180
601ZN-010-125-631-2C	TPR	125(5")	50	164	114×98	82×70	11	200
601ZN-010-150-631-2C	TPR	150(6")	50	190	114×98	82×70	11	250
601ZN-010-200-631-2C	TPR	200(8")	50	240	114×98	82×70	11	300



NO. Model	Wheel Material	Wheel Dia (mm)	Tread Width (mm)	Load Height (mm)	Plate Size (mm)	Plate Size (mm)	Hole Size (mm)	Load Capacity (kg)
601ZN-020-100-631-2C	TPR	100(4")	50	143	114×98	82×70	11	180
601ZN-020-125-631-2C	TPR	125(5")	50	164	114×98	82×70	11	200
601ZN-020-150-631-2C	TPR	150(6")	50	190	114×98	82×70	11	250
601ZN-020-200-631-2C	TPR	200(8")	50	240	114×98	82×70	11	300



NO. Model	Wheel Material	Wheel Dia (mm)	Tread Width (mm)	Load Height (mm)	Plate Size (mm)	Plate Size (mm)	Hole Size (mm)	Load Capacity (kg)
601ZN-026-100-631-2C	TPR	100(4")	50	143	114×98	82×70	11	180
601ZN-026-125-631-2C	TPR	125(5")	50	164	114×98	82×70	11	200
601ZN-026-150-631-2C	TPR	150(6")	50	190	114×98	82×70	11	250
601ZN-026-200-631-2C	TPR	200(8")	50	240	114×98	82×70	11	300

Description

Material: High Tech Thermo-Plastic Rubber with Double Ball Bearings

Swivel Section: Precision Steel Ball with Double Track Design

Installation: Fix, Swivel & Brake

Finishing: Zinc

Thread



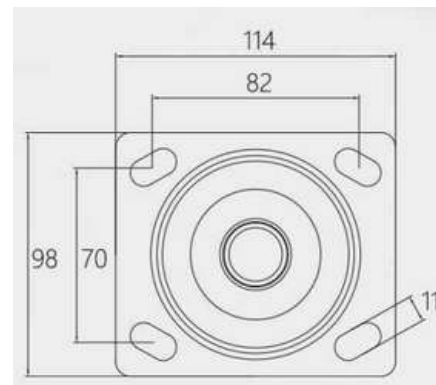
Color: Grey
Hardness: 75A
Wheel Core: PP
Wheel Tread: TPR
Wheel Code: 631-2G



Color: Grey
Hardness: 75A
Wheel Core: PP
Wheel Tread: TPR
Wheel Code: 632-2G

Top Plate

(mm)





NO. Model	Wheel Material	Wheel Dia (mm)	Tread Width (mm)	Load Height (mm)	Plate Size (mm)	Plate Size (mm)	Hole Size (mm)	Load Capacity (kg)
601ZN-010-100-641-2G	ER	100(4")	50	143	114×98	82×70	11	180
601ZN-010-125-641-2G	ER	125(5")	50	164	114×98	82×70	11	200
601ZN-010-150-641-2G	ER	150(6")	50	190	114×98	82×70	11	280
601ZN-010-200-641-2G	ER	200(8")	50	240	114×98	82×70	11	300



NO. Model	Wheel Material	Wheel Dia (mm)	Tread Width (mm)	Load Height (mm)	Plate Size (mm)	Plate Size (mm)	Hole Size (mm)	Load Capacity (kg)
601ZN-020-100-641-2G	ER	100(4")	50	143	114×98	82×70	11	180
601ZN-020-125-641-2G	ER	125(5")	50	164	114×98	82×70	11	200
601ZN-020-150-641-2G	ER	150(6")	50	190	114×98	82×70	11	280
601ZN-020-200-641-2G	ER	200(8")	50	240	114×98	82×70	11	300



NO. Model	Wheel Material	Wheel Dia (mm)	Tread Width (mm)	Load Height (mm)	Plate Size (mm)	Plate Size (mm)	Hole Size (mm)	Load Capacity (kg)
601ZN-026-100-641-2G	ER	100(4")	50	143	114×98	82×70	11	180
601ZN-026-125-641-2G	ER	125(5")	50	164	114×98	82×70	11	200
601ZN-026-150-641-2G	ER	150(6")	50	190	114×98	82×70	11	280
601ZN-026-200-641-2G	ER	200(8")	50	240	114×98	82×70	11	300

Description

Material: High Tech Polyurethane with Double Ball Bearings

Swivel Section: Precision Steel Ball with Double Track Design

Installation: Fix, Swivel & Brake

Thread



Color: Grey
Hardness: 70A
Wheel Core: PP
Wheel Tread: ER
Wheel Code: 641-2G



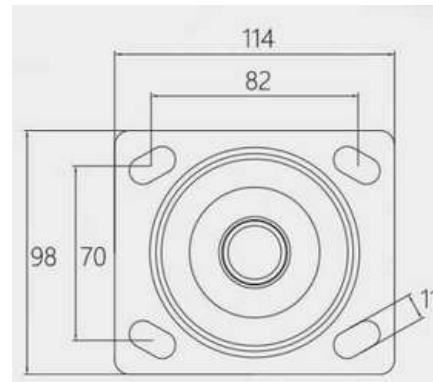
Color: Blue
Hardness: 70A
Wheel Core: PP
Wheel Tread: ER
Wheel Code: 641-2L



Color: Black
Hardness: 70A
Wheel Core: PP
Wheel Tread: ER
Wheel Code: 641-2H

Top Plate

(mm)





NO. Model	Wheel Material	Wheel Dia (mm)	Tread Width (mm)	Load Height (mm)	Plate Size (mm)	Plate Size (mm)	Hole Size (mm)	Load Capacity (kg)
601ZN-010-100-651-2D	Iron + PU	100(4")	50	143	114×98	82×70	11	270
601ZN-010-125-651-2D	Iron + PU	125(5")	50	164	114×98	82×70	11	320
601ZN-010-150-651-2D	Iron + PU	150(6")	50	190	114×98	82×70	11	430
601ZN-010-200-651-2D	Iron + PU	200(8")	50	240	114×98	82×70	11	480



NO. Model	Wheel Material	Wheel Dia (mm)	Tread Width (mm)	Load Height (mm)	Plate Size (mm)	Plate Size (mm)	Hole Size (mm)	Load Capacity (kg)
601ZN-020-100-651-2D	Iron + PU	100(4")	50	143	114×98	82×70	11	270
601ZN-020-125-651-2D	Iron + PU	125(5")	50	164	114×98	82×70	11	320
601ZN-020-150-651-2D	Iron + PU	150(6")	50	190	114×98	82×70	11	430
601ZN-020-200-651-2D	Iron + PU	200(8")	50	240	114×98	82×70	11	480



NO. Model	Wheel Material	Wheel Dia (mm)	Tread Width (mm)	Load Height (mm)	Plate Size (mm)	Plate Size (mm)	Hole Size (mm)	Load Capacity (kg)
601ZN-026-100-651-2D	Iron + PU	100(4")	50	143	114×98	82×70	11	270
601ZN-026-125-651-2D	Iron + PU	125(5")	50	164	114×98	82×70	11	320
601ZN-026-150-651-2D	Iron + PU	150(6")	50	190	114×98	82×70	11	430
601ZN-026-200-651-2D	Iron + PU	200(8")	50	240	114×98	82×70	11	480

Description

Material: High Tech Polyurethane with Double Ball Bearings

Swivel Section: Precision Steel Ball with Double Track Design

Installation: Fix, Swivel & Brake

Thread



Color: Red
Hardness: 90A
Wheel Core: Iron
Wheel Tread: PU
Wheel Code: 651-2D



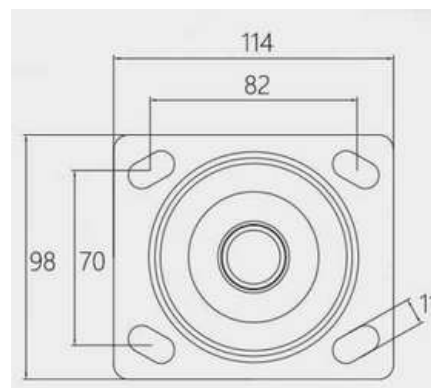
Color: Red
Hardness: 90A
Wheel Core: PP
Wheel Tread: Nylon
Wheel Code: 652-2D



Color: Silver
Wheel Core: Iron
Wheel Tread: Iron
Wheel Code: 657-2S

Top Plate

(mm)



GETTING YOUR CASTOR WHEELS HAS NEVER BEEN EASIER!

Call Us for a Quick Quote

Discuss and Customize

Fast and Reliable Delivery

Kindly visit our showroom at:

First Floor, Bearing No.8/29, Durga Colony, First Street,
Kolathur, Chennai-600099

About Us

At RFAL Technology Pvt Ltd, we are proud to be the exclusive importer and distributor of premium castor wheels in India. Serving diverse industries, including medical, industrial, and heavy-duty applications, we ensure top-quality products with unmatched reliability. With ready stock, competitive pricing, and customization options, we are committed to delivering excellence and mobility solutions tailored to your needs.



FROM LIGHT-DUTY TO HEAVY-DUTY

MEDICAL TO INDUSTRIAL

WE HAVE THE PERFECT WHEELS FOR EVERY PRODUCT, CATEGORY APPLIANCE!

Contact Us

Mobile

+91 97917 63278

E-Mail

info@rfaltech.in

Website

www.rfaltech.in